



**GIANT**<sup>®</sup>  
BY TOBROCO



COMPACT DESIGN  
BIG IN PERFORMANCE

# SKID STEER LOADER

**THE COMPACT  
POWERHOUSE**



[WWW.TOBROCO-GIANT.COM](http://WWW.TOBROCO-GIANT.COM)

# INTRODUCTION

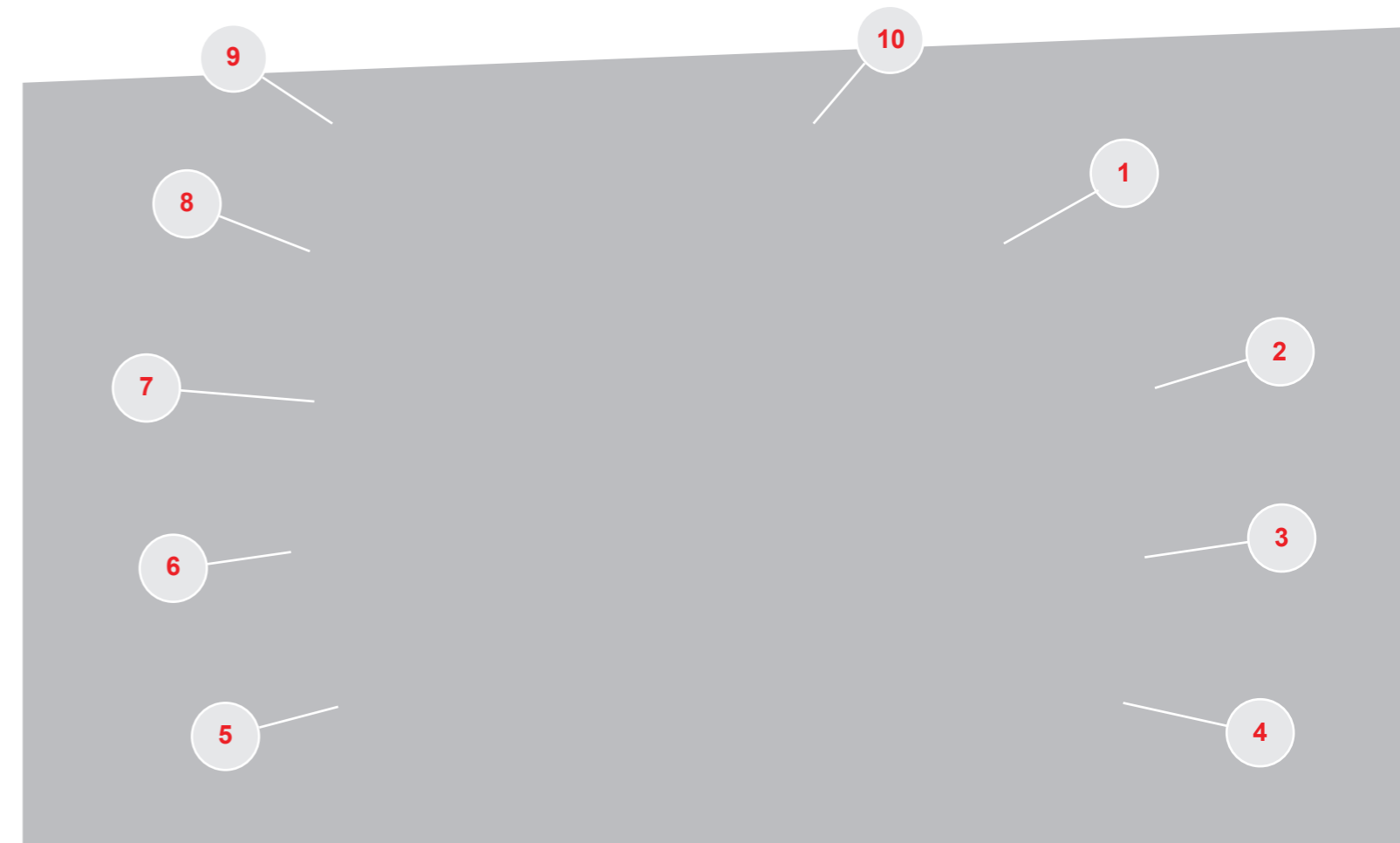
## THE ALL-ROUNDER IN DAILY BUSINESS: THE NEW GIANT SKID STEERS

Whether it concerns gardening, construction & demolition, farmers, poultry farms, municipalities or anyone who maintains roads and paths: a skid steer loader cleans, sweeps and demolishes!

Nowadays work has to be carried out as efficiently as possible, regardless of the sector, and deadlines are widely represented. The increasing labour shortage in many industries is intensifying

this pressure. At the same time, everyone has an obligation to ensure that people have a safe and comfortable workplace.

By applying new innovations and the availability of a large number of attachments, the new skid steer presents itself as a multifunctional all-rounder that helps to make work easier and more efficient.



## STRONG PROPERTIES

- 1. WORKING COMFORTABLY** - The hip brackets and, in height-adjustable and suspended, operator platform provides the driver more comfort.
- 2. SERVICE** - Daily checks and maintenance can be carried out quickly because service points are easily accessible.
- 3. COMPACT DESIGN** - The compact dimensions ensure that the machines can operate in small spaces. The operator platform is easy to fold so that the machines are compact to transport.
- 4. CHOOSE THE MACHINE FOR YOUR WORK** - Depending on the work, a large number of different tyres can be selected. These can even be changed on location and give the machine a width between **75 (!)** and 110 centimetres.
- 5. PRODUCTIVITY** - Larger wheel motors provide more push and pull, better driving characteristics and are also low maintenance.
- 6. POWERFUL PERFORMANCE** - There is a choice of 3 powerful engines: 20 and 25 hp diesel engines from Kubota and a 21 hp petrol engine from Honda.
- 7. HYDRAULIC POSSIBILITIES** - The skid steer loaders are equipped with a larger hydraulic pump for more power and higher yield. Optionally the machines can be equipped with a double gear pump.
- 8. WORK PRECISELY** - A new valve block providing extra user-friendliness and the ability to perform multiple functions combined.
- 9. VERSATILITY** - Simply change the attachment and adjust the machine to your working conditions.
- 10. SOLID INVESTMENT** - The skid steer loaders are a solid investment because of their reliability and maximum usability. The machines have high quality components from well-known brands such as Kubota, Honda, Parker and Hydac.



## TECHNICAL SPECIFICATIONS

### TECHNICAL SPECIFICATIONS

TYPE	SK212G	SK202D	SK252D
Service weight <sup>1</sup>	750 kg	795 kg	810 kg
Lifting capacity	445 kg	445 kg	445 kg
Tipping Load <sup>2</sup>	434 kg	434 kg	434 kg

### SIZE AND SPEED

Lifting height <sup>2</sup>	2.100 mm	2.100 mm	2.100 mm
Length without bucket	4.165 mm	4.165 mm	4.165 mm
Width on standard tyres	1.090 mm	1.090 mm	1.090 mm
Standard tyres	22x11-8 All Ground	22x11-8 All Ground	22x11-8 All Ground
Travel Speed	0-6 km/h	0-7 km/h	0-7 km/h

### MOTOR

	Honda GX630	Kubota D722	Kubota D902
Cylinders	2	3	3
Power	21 hp / 15,5 kW	20 hp / 15 kW	25 hp / 17,5 kW
Type	Gasoline	Diesel	Diesel
Fuel tank capacity	21 L	21 L	21 L
Oil tank capacity	42 L	42 L	42 L

### POWERTRAIN

Type	Hydrostatic 4 wheel drive	Hydrostatic 4 wheel drive	Hydrostatic 4 wheel drive
Differential	4-wheel steering	4-wheel steering	4-wheel steering
Final drive	4 heavy Parker wheel engines	4 heavy Parker wheel engines	4 heavy Parker wheel engines
Driving hydraulics	35 ltr/min (180 bar)	35 ltr/min (180 bar)	35 ltr/min (180 bar)
Working hydraulics	35 ltr/min (180 bar)	35 ltr/min (180 bar)	35 ltr/min (180 bar)

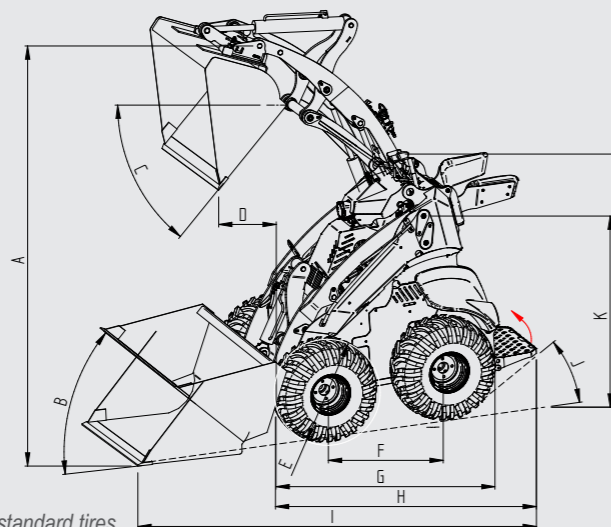
### STANDARD MACHINE FEATURES

1x DA valve at the front 30 ltr/min	Std	Std	Std
Adjustable hip bracket	Std	Std	Std
Single-side hydraulic hold on first double acting function	Std	Std	Std
Parallel guidance on lifting arm	Std	Std	Std
Counterweight integrated into the mudguards	Std	Std	Std
Height-adjustable, sprung driver's plateau	Std	Std	Std
Hand throttle	Std	Std	Std
Oil cooler	Std	Std	Std
Lifting eyes	Std	Std	Std

1 Measured with earthbucket 2 Measured with counterweight and driver ± 65 kg

### DIMENSIONS

A	2.100 mm
B	41°
C	39°
D	321 mm
E	max Ø 590 mm
F	735 mm
G	1.371 mm
H	1.580 mm
I	2.200 mm
J	20°
K	1.243 mm
L	1.362 mm



Dimensions in mm and measured with standard tyres

### TIPPING LOADS

S	434 KG	W	980 KG
T	445 KG	X	434 KG
U	271 KG	Y	279 KG
V	195 KG		

## OPTIONS

For the safe and efficient execution of work it is important that the machine meets your requirements. TOBROCO-GIANT has a large number of options available so that the skid steer loaders can be fully adapted to your wishes. Ask your dealer about the possibilities.

### SOFT BRAKE

Optionally, the skids can be equipped with a soft brake. With this system, the skid steer slows gradually after releasing the steering levers.

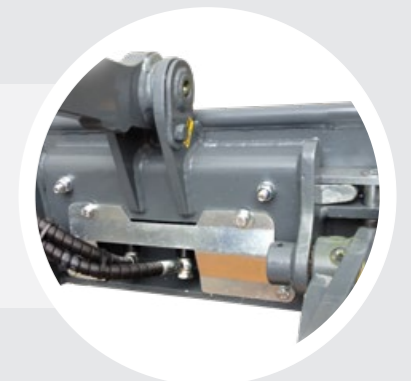


### DOUBLE GEAR PUMP

By applying a double gear pump, the machine will have extra hydraulic power available. This makes it possible to get more capacity from the attachments (rotary mower, sweeper, hydraulic hammer, etc.).

### HYDRAULIC QUICK CHANGE

Optionally the skid steer loaders can be equipped with an hydraulic quick change. Changing attachments can then be done easily and quickly without having to step off the machine.

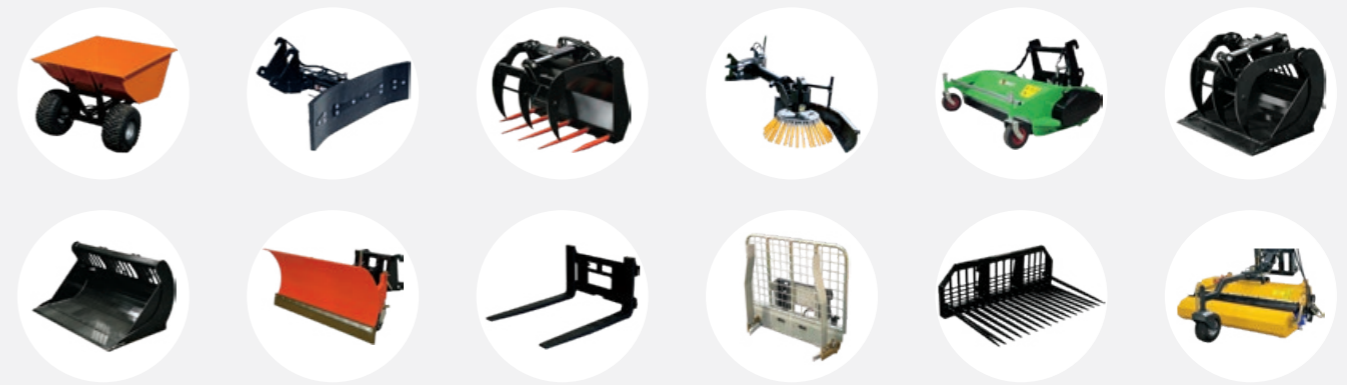


### TYRES

Depending on the work, a large number of different tyres can be selected. These can even be changed on location and give the machine a width between 75 (!) and 110 centimetres.

### ATTACHMENTS

TOBROCO-GIANT offers more than 100 different attachments so your machine can be used all year long. By choosing the right attachment it is possible to adjust your GIANT to working conditions for agricultural purposes, construction, material handling, private use and many other areas of application. Clear every job with one machine!



## ONE MACHINE FOR EVERY JOB



INFRASTRUCTURE



AGRICULTURAL



CONSTRUCTION & DEMOLITION



EQUINE INDUSTRY



FORESTRY



GOVERNMENT & MUNICIPALITIES



MATERIAL HANDLING



NURSERIES



WINTER SERVICE



LANDSCAPING & GROUND CARE

# TOBROCO-GIANT WORLDWIDE

## DEALER NETWORK

With a large network of dedicated dealers we like to be close to our customers to provide the machines, service and parts that you demand. All dealers are supported by a team of experts from the head office of TOBROCO-GIANT in Oisterwijk, The Netherlands.



## TRAINING

At TOBROCO-GIANT we know all the details about our machines. That is why we offer an extensive training program to our dealers. Not only on the newest features or attachments, but also on how to service a machine to the highest standards.



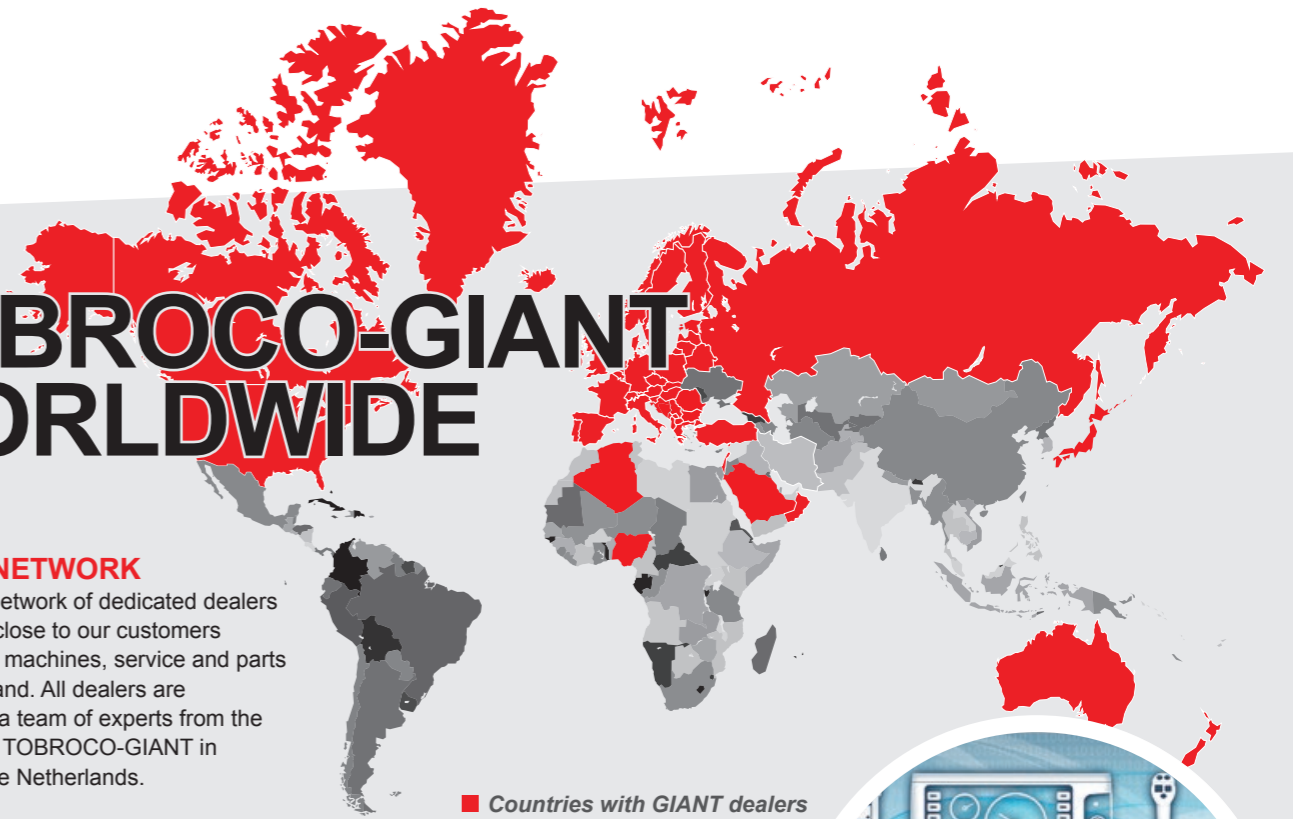
## SERVICE & SUPPORT

At TOBROCO-GIANT we offer support, service and high quality parts to protect the investment that you have made in GIANT Machinery. Together with our dealers we are available to make sure that your machine performs in the best possible way. This increases your productivity and will result in an even better return on your investment.



## GENUINE GIANT PARTS

The usage of genuine GIANT parts ensure reliable, efficient and safe operation of your machine. We only use the best quality components and test them severely before we introduce a new model. All these parts are vital for the best possible performance and minimising downtime. Keeping your GIANT 100% original saves you money in the end because of reduced running costs and a higher resale value.



Countries with GIANT dealers



# MODELS



**SK-SERIE**

TOBROCO-GIANT has been manufacturing quality GIANT machines and attachments since 1996 when we opened our first factory in the Netherlands. Today, TOBROCO-GIANT offers one of the broadest product portfolios in the business with 36 different models in 40 countries.

TOBROCO-GIANT supplies machines from 750 kg until 6000 kg with engines from 20 hp till 76 hp for the worldwide machine market. Which machine will you choose?



**A-SERIE**



**A-SERIE TELE**



**B-SERIE**



**C-SERIE**



**D-SERIE**



**E-SERIE**



**E-SERIE TELE**



**G3500** ✓



**G4500** ✓



**V-SERIE**



**V-SERIE TELE**



**T-SERIE**

✓ Stage V ready



**GIANT**  
BY TOBROCO

**TOBROCO-GIANT**

Industrielaan 2  
5061 KC Oisterwijk (The Netherlands)  
Tel: +31 (0)13-5211212  
Fax: +31 (0)13-5234045  
Internet: [www.tobroco-giant.com](http://www.tobroco-giant.com)  
E-Mail: [info@tobroco-giant.com](mailto:info@tobroco-giant.com)

 **Kombainserviss**

All technical data in this brochure refer to under Central European operating conditions tested series models and describe the standard functions. Specifications and their modes of operation, as well as accessories, depend on the model and the options of the product, as well as country-specific regulations in the country of sale. Images may show non-listed or non-standard available products. The descriptions, illustrations, weights and technical data are not binding and are in accordance with the state of the art at the time of going to press. Changes in the design, equipment, optics and technology are due to the continuous development of its products without prior notice. Do you need special functions which are only available through the use of additional components and / or under special circumstances, please contact us! We will be happy to answer your questions and let you know whether and under what conditions regarding the product and the environmental conditions special functions are realizable. When doubts about the capacity or the performance of our products under special circumstances, we recommend to perform under controlled conditions. Testing activities despite the utmost care, we cannot rule out deviations from illustrations or dimensions, calculation errors, misprints or omissions in this brochure. We therefore accept no liability for the correctness and completeness of the information contained in this brochure. As part of our General Terms and Conditions, we guarantee the proper functioning of our products. Furthermore Linear guarantees we provide in principle. A further liability than outlined in our Terms and Conditions is excluded.



Article and version number:  
P001317002 SK-SERIE EN V119